



High-tech features. Unparalleled filtration.

Hayward Pro-Grid uses superior filter performance to achieve remarkable water clarity, efficient flow and large cleaning capacity for pools of all types and sizes. Pro-Grid filter tanks are constructed of PermaGlass XL™, a glass-reinforced copolymer, for the ultimate in strength, durability and long life.

Featuring "service ease" assembly, Pro-Grid delivers low maintenance and dependable operation. Pro-Grid filters are also available with the optional SP0740DE Selecta-Flo™ control valve, the specially designed filter control valve for D.E. filters. Choose quality results and maximum value with Pro-Grid filters by Hayward – the first choice of pool professionals.



Pumps

Filters

Heaters

Heat Pumps

Cleaners

Lighting

Controls

Electronic Chlorine
Generators

Total System

Combination Pressure and Cleaning-Cycle-Indicator Gauge

gives visual indication when cartridge filter elements need cleaning.

Manual Air Relief provides an easy way to manually purge air from filter.

Screenless Internal Air Relief continuously vents and eliminates clogging.

Improved High-Strength Filter Tank molded from new and stronger PermaGlass XL material for dependable, corrosion-free performance.

High-Impact Grid Elements designed for up-flow filtration and top-down backwashing for maximum efficiency.

Self-Aligned Tank Top and Bottom make access to servicing grid elements fast and simple.

Heavy-Duty, Tamper-Proof One-Piece Clamp securely fastens tank top and bottom together and allows quick access to all internal components without disturbing piping or connections.

Marked Short Element and Manifold provide clear guidelines for re-assembly of grid elements during cleaning.

Inlet Diffuser Elbow distributes flow of incoming water evenly to all filter elements.

Noryl® Bulkhead Fittings for extra strength and heat resistance.

Full-Size 1½" Integral Drain provides fast, 100% clean-out and easier flushing.

Union Locknuts make disassembly/reassembly of filter from piping fast and easy.

Plumbing Versatility means a wide variety of valve options for customized control of your filtration system, including Hayward's 2", 2-position slide valve.

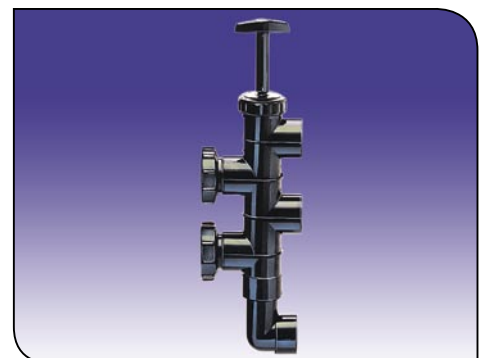


Valve Options

SPECIFICATIONS – PRO-GRID VERTICAL GRID D.E. FILTERS	
FILTER TYPE	Vertical Grid Diatomite: 24, 36, 48, 60, 72 ft. ² (2.2, 3.3, 4.4, 5.5, 6.6 m ²)
FILTER TANK	Injection-molded PermaGlass XL
FILTER ELEMENTS	Monofilament polypropylene cover fitted over 8 curved, high-impact grids
CONTROL VALVE	1½" or 2", 7-position Vari-Flo™, 2", 4-position Selecta-Flo, 2", 4-position slide valve. May also be plumbed singularly or in series with quick-connect union couplings (less value).
PERFORMANCE RANGE	½ to 3 HP (30 to 150 GPM)
DIMENSIONS	DE2420 – 23" W x 32" H (58 cm x 81 cm) DE3620 – 23" W x 34" H (58 cm x 87 cm) DE4820 – 23" W x 40" H (58 cm x 102 cm) DE6020 – 23" W x 46" H (58 cm x 107 cm) DE7220 – 23" W x 52" H (58 cm x 132 cm)



4- or 7-Position Multiport Valve



2-Position Slide Valve

PERFORMANCE DATA								
MODEL NUMBER	EFFECTIVE FILTRATION AREA		DESIGN FLOW RATE*		TURNOVER			
	ft. ²	m ²	GPM	LPM	GALLONS		KILOLITERS	
					8 hrs.	10 hrs.	8 hrs.	10 hrs.
DE2420	24	2.2	48	182	23,040	28,800	87	109
DE3620	36	3.3	72	272	34,560	43,200	131	164
DE4820	48	4.4	96	363	46,080	57,600	174	218
DE6020	60	5.5	120	454	57,600	72,000	218	273
DE7220	72	6.6	144	545	69,120	86,400	261	327

*Determined by pump size and piping system hydraulics; 2" piping is recommended for flow rates equal to or greater than 90 GPM (341 LPM). Hayward doesn't recommend flow rates above 150 GPM.